

Dialogica Indicator Range



model D 70 B

Electronic Indicator's display Weight

D 70 B weight display indicator

General characteristics

- D70 B is an electronic indicator, designed for rack-mount applications, especially recommended for weighing systems where the connection to the control systems requires a 4÷20 mA or 0÷10Volt analogue output.
- This unit, equipped with a LED display and membrane keypad, features an exceptional quality-price ratio.
- Power supply either 230 V or low tension 12 Vdc.
- The unit features two serial outputs that can be configured to transmit the weight reading to connected devices.
- Carrying the CE mark of approval in compliance with directive 2014/31/UE, this indicator can be connected to any type of analogue load cell in Single Scale or Multirange versions.

Technical specifications

- 7-segment (h=20m) red LED display
- Power supply: 90÷240V direct with cable included
- Low voltage power supply: 12 Vdc
- Power absorption: 10 Va
- Operating temperature °C: -10 / + 40
- Storage temperature °C: -20/+70
- RH % (maximum non-condensing relative humidity): 85%
- Load cell power supply: 10 Vdc
- Maximum number of load cells: 12x350 ohm
- Maximum load cell input power: 23 mV
- 6-wire connection with "Sense" circuit
- Max. resolution (for "approved use"): 6000 div. OIML (3x3000) or (2x4000)
- Max. resolution (for "internal use"): 30000 div.
- Serial outputs: one for RS232 + one for RS232/485
- Analogue output: 4÷20 mA or 0÷10Volt
- Panel protection rating: IP65
- Facility for operation as a weight "repeater"
- Brackets for rack-mounted version



D 70 B weight display indicator

Functional characteristics

The indicator manages the following data:

- Display of: GROSS weight - NET weight
- Auto tare or preset tare function
- Reset
- Test
- Weight value transmission via a serial port

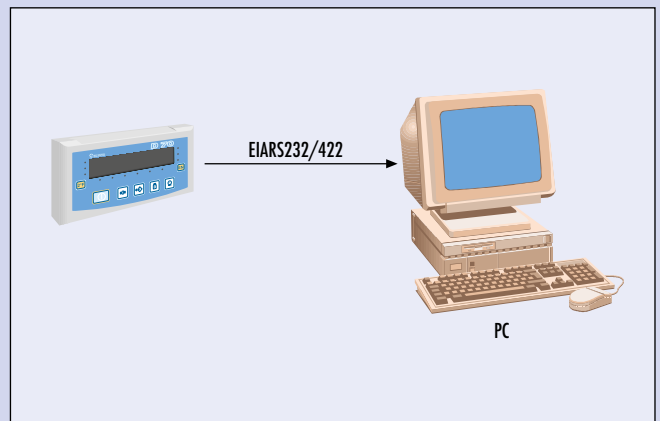
Optionals

- Wall mounting kit
- 2 x Input / 2 x output card with dosing routine
- 24 V power supply input

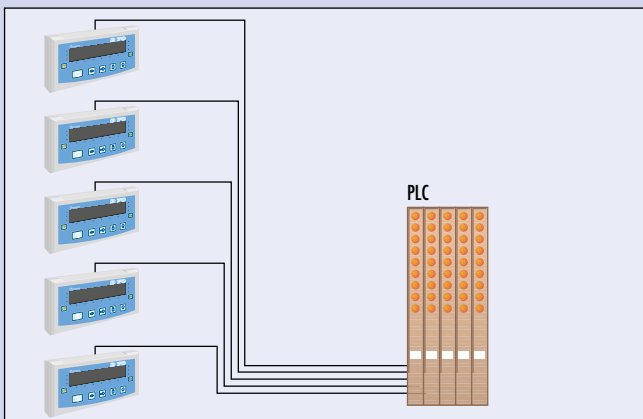
Applications

- The high versatility of the D70 B indicator allows it to be used in the most various fields, meeting in this way the most complex productive requirements.

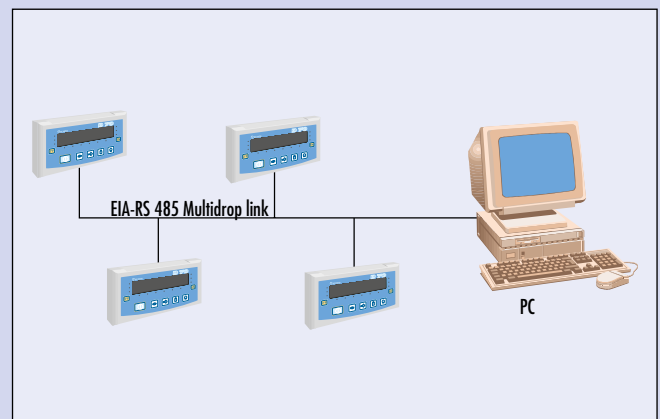
Some examples are given below.



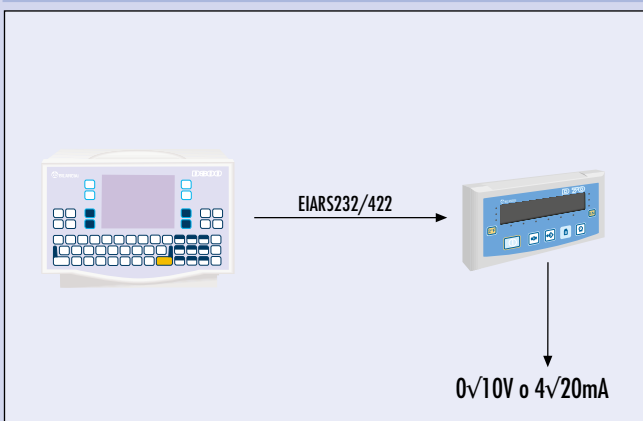
Serial connection to PC



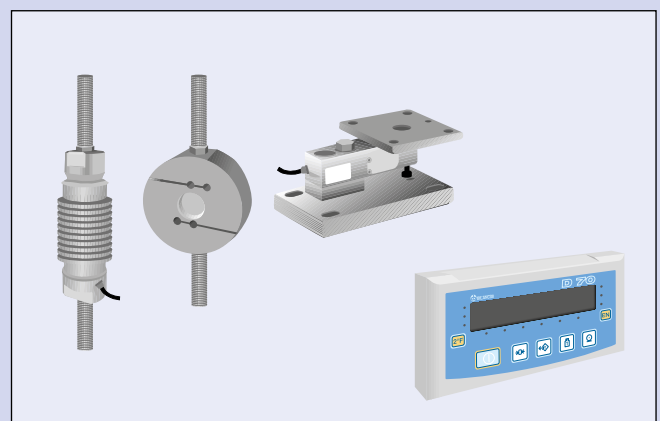
0÷10V or 4÷20mA analogue output connection



Network connection

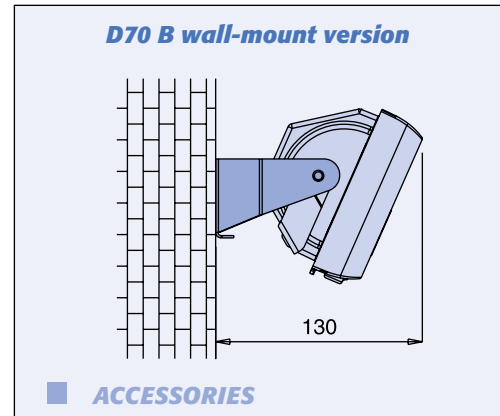
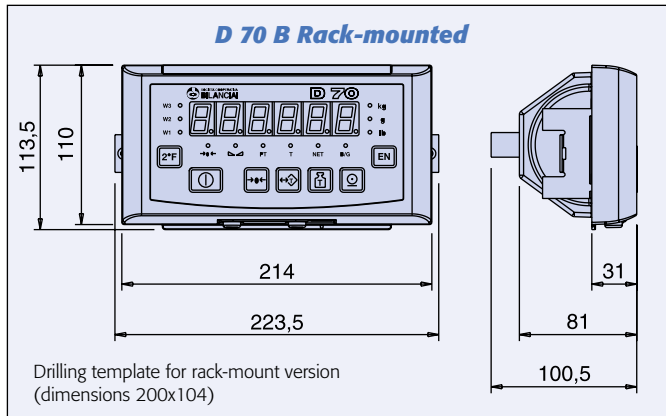


D70 B with weight repeater function through



Load cell connection for batching plants

D 70 B weight display indicator



With the aim of improving our products from a technological point of view, we reserve the right to at any time without prior notice make changes and modifications to the products shown in the above photographs. No. 81190045/B - 1049 - **netstradio**



Società Cooperativa Bilanciai Campogalliano
41011 Campogalliano (MO) Italy - Via S. Ferrari, 16
Tel. +39 059 / 89.36.11 - Fax +39 059 / 52.70.79
www.coopbilanciai.it - cb@coopbilanciai.it

Agent / Dealer